
WaterLeakStop Z-8

8-Zones Water Leak
Detector Expansion Unit

User Manual

Table of contents

BRIEF DESCRIPTION	3
SPECIFICATIONS:.....	3
CONNECTIONS:	3
PICTURES - TABLES:	4
<i>Figure 1 -Front Panel</i>	<i>4</i>
<i>Figure 2 – Connection Terminals.....</i>	<i>4</i>
DESCRIPTION OF THE LED INDICATORS	5
CONNECTION TERMINALS DESCRIPTION	5
CONNECTION AND COMMISSIONING	6
SENSORS' CONNECTION	6
INTERFACE WITH WATERLEAKSTOP WLS-1	6
CONNECTION OF RELAY CONTACTS	6
POWER SUPPLY	6
<i>Connection diagram</i>	<i>7</i>
FUNCTIONAL DESCRIPTION.....	8
TABLE OF ZONES.....	9
ALTERNATIVE MANAGEMENT OF WASTE ELECTRICAL AND ELECTRONIC EQUIPMENT.....	11

Warnings:

The information contained in this document may change without notice. All rights reserved. Reproduction, adaptation or translation of this material, without the prior written permission of the manufacturer, except as permitted by the copyright laws. The manufacturer will not be responsible for any technical errors, editorial errors or omissions in this.

Brief description

Specifications:

Input Voltage:	12 V DC
Current (monitoring / max):	8,2 / 60 mA
Relay contacts(Rated Voltage / Ampere):	250VAC / 12A
Dimensions:	106 x 86 x 58 χλ. (L x W x H)
Weight:	180 grams.
Mounting:	M-36 DIN-rail (EN50022)

Connections:

Detection Zones Z_(1-8): The following types of sensors can be connected to detect water leakage: Pins detection, detection cable and other sensors for this reason. In zones, can be connected N.O. type sensors (Open Contact when is dry).

Interface with WLS-1: Interface with one or two cable. Goto [Connection Terminal Description](#) and the corresponding terminal.

Leakage management: One SPDT relay, for connection with a solenoid valve to stop the water supply or to connect a siren, an alarm system or any other notification system.

Power Supply: To power the device is necessary to use stabilized power supply with an output voltage of 12VDC and minimum output current of 100mA.

Recommendation: It is recommended to be used **LIYCY** cable, for the connections between the sensors and the WLS-1. The shield is connected at the negative pole (-).

Pictures - Tables:



Figure 1 -Front Panel

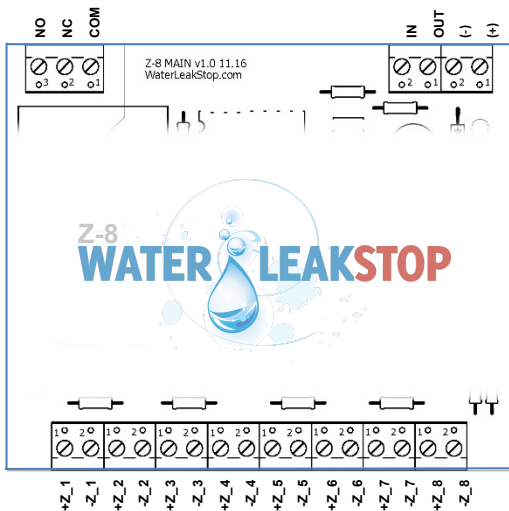


Figure 1 - Connection Terminals

Description of the LED indicators

ZONE 1 to 8:	Continuous On:	Presence of moisture
	Off:	No presence of moisture
POWER ON:	Continuous On:	Power On
	Off:	Power Off
RELAY ON:	Continuous On:	Relay On. COM - NO
	Off:	Relay Off. COM - NC

Connection terminals description

Z_(1-8): In zones Z_1 - Z_8, are connected the humidity sensors. The connected sensors must have Normal Open (N.O.) terminals when they are in normal mode (no water at their probes)

We pay attention, if the sensors that will be connected, have polarity. All the zones have the sequence (+) (-) from left to right.

IN, OUT: Terminals interconnect with the central unit WaterLeakStop WLS-1.

IN → +WL PRB* OUT → WL PRB

*If a common power supply give energy both to the **Z-8** and **WLS-1**, it is not necessary the connection between the **IN +WL PRB**.

N.O., N.C., COM: Relay contacts for driving an alarm system, a communication system or a local alarm.

(-), (+) DC INPUT: Power supply connection terminals. 12 V DC / 100 mA (ελάχιστο).

Connection and Commissioning

Sensors' connection

Connect in parallel the desired sensor number, in each zone, while leaving blank the zones that will not be used.

We pay attention, if the sensors that will be connected, have polarity. All the zones have the sequence (+) (-) from left to right.

Interface with WaterLeakStop WLS-1

If we have the WaterLeakStop WLS1 unit, then we connect between the following points.

IN → +WL PRB* OUT → WL PRB

*If a common power supply give energy both to the **Z-8** and **WLS-1**, it is not necessary the connection between the **IN** and **+WL PRB**.

Connection of relay contacts

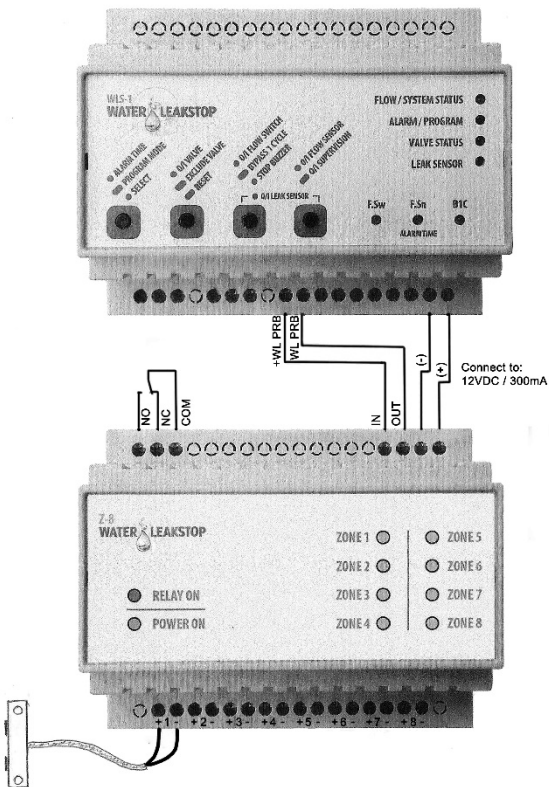
If we want to make use of the SPDT relay, to activate other devices or circuits, we will make use of terminals **N.O.**, **N.C.**, **COM**.

Relay On: When one of the zones are triggered, the terminals **COM – N.O.**, are connected.

Relay Off: When all the zones are secured, the terminals **COM – N.C.**, are connected.

Power supply

To power the device requires a stabilized power supply with an output voltage of 12VDC and minimum output current of 100mA.



Connection diagram

Functional description

The device **WaterLeakStop Z-8**, detects water leakages in selected locations of the monitored sites, using water sensors. The sensors are placed in each of the eight (8) available zones. In each zone, can be connected more than one sensors, connected in parallel.

If a zone triggered by a sensor, will cause the state change of the relay's contacts **COM**, **N.C.** and **N.O.**. Also, will change the voltage level of the **OUT** terminal.

The relay terminals may be used for:

1. trigger a siren, an alarm system or any other notification system.
2. the control of a solenoid valve to stop the water supply.

The **OUT** terminal may be used for the interconnection between the **Z-8** and the **WLS-1** main unit.

Restoration of **COM**, **N.C.**, **N.O.** and **OUT**, comes when all zones returned to an open circuit state.

Table of Zones

A/A	Description
1	
2	
3	
4	
5	
6	
7	
8	

Alternative management of waste electrical and electronic equipment

For the countries of the European Union



This label is affixed to the product to remind you that the electrical and electronic products must not in any event be considered municipal waste.

Electrical and electronic products, including cables, plugs and accessories should be separated at source, to allow the necessary treatment, with the ultimate goal to reuse or recovery.

These products should be available in specified units with the best techniques of collection, treatment and alternative management.

The separate treatment provides the following significant advantages: valuable materials can be reused and thus prevent the generation of municipal waste.

This action helps to protect the environment and human health. Please be aware that fine may be imposed for illegal disposal of electrical and electronic equipment.

Please drop your old electronic equipment at appropriate recycling electronics or contact your local authorities for further information.

For countries outside the European Union

The management of electric and electronic equipment in countries outside the European Union should be in accordance with local regulations. Please contact your local authorities for further information.



The manufacturer Christos N. Chiotis, with contacts details:
Address: Rodou 24 Koridallos, 18120, Attiki – Greece
Phone/Fax: 210-2018328 - Email: support@waterleakstop.com

Declares that this device Z-8, meets the requirements of European Directives: 2004/108/EK (EMC), 2011/65/EE (RoHS).



www.waterleakstop.com

240119-EN